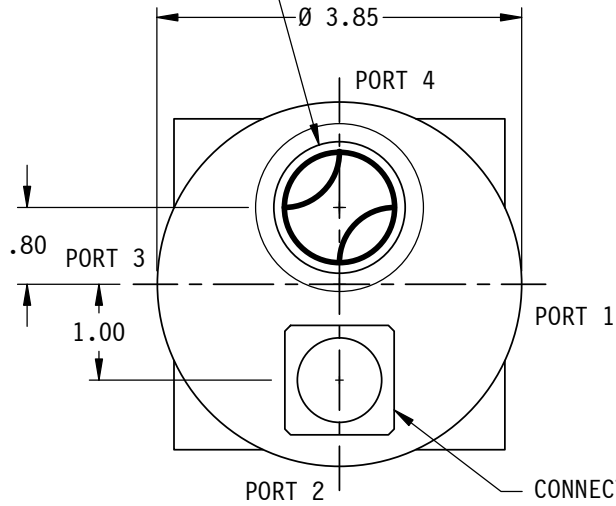
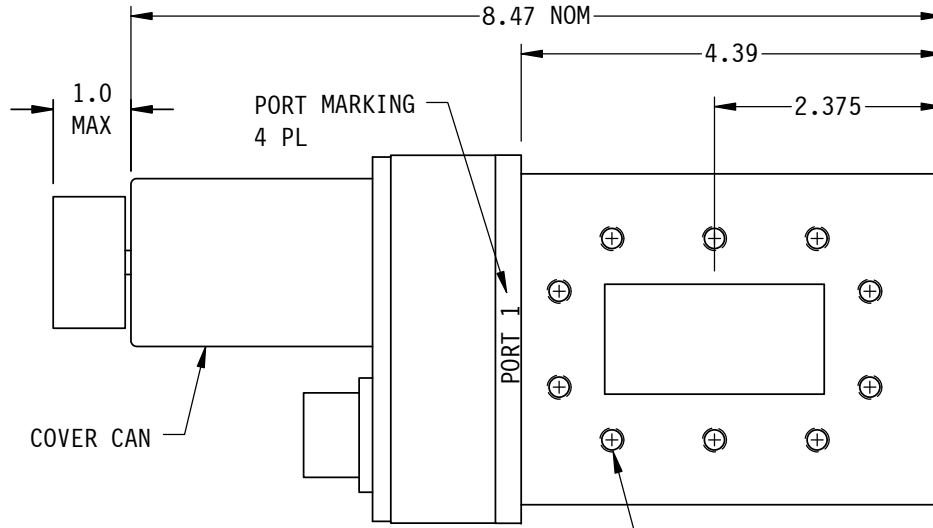


MANUAL OVERRIDE KNOB
AND R-F PATH INDICATOR

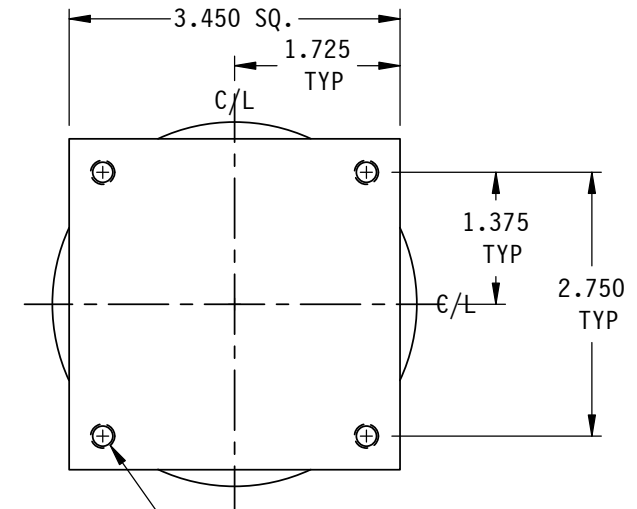


CONNECTOR
MS3102E-14S-6P
(FOR STD CKT)



WR229 (CPRF FLANGE SHOWN)
1/4 x 20 UNC x .31 DP. MIN TYP
(M6 x 1 THD ON METRIC UNITS)

2xx SHELTERED SER.



1/4-20 UNC x .50 DP MIN, 4PL
(M6 x 1 THD ON METRIC UNITS)

SPECIFICATIONS:

- FREQ RANGE — 3.30 TO 4.90 GHz
- VSWR — 1.05 : 1 MAX
- INSERTION LOSS — 0.02 db MAX
- ISOLATION — 80 db MIN
- SWITCHING TIME — 100 mSec
- PRESSURE — TO 30 PSIG (R-F HEAD ONLY)
- MATERIAL — ALUMINUM ALLOY
- FINISH — IRIDITE & SATIN BLACK ENAMEL (EXCEPT FLANGE FACES)
- LIFE — 200,000 OPERATIONS MIN.

NOTES:

1. ** MANUAL SWITCH DOES NOT INCLUDE RECEPTACLE.
2. BLUE BOXES ARE REQUIRED FIELDS.
3. !! IF OPTION IS NOT REQUIRED, LEAVE (GOLD BOX) BLANK

VOLTAGE	AMPS	CODE
+22 TO +32	2	A
-22 TO -32	2	B
+10 TO +14	2	C
-10 TO -14	2	D
+44 TO +54	1	E
-44 TO -54	1	F
117VAC	0.5	H
235VAC	0.5	K
MANUAL **		M

PART NO. SELECTION

CODE	FLANGE
F	CPRF
G	CPRG

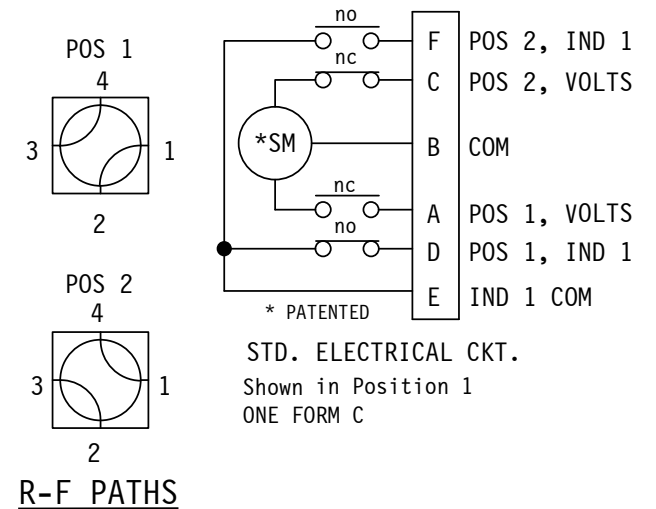
CODE	!! OPTION
M	METRIC THREAD

(USED IN A SHELTERED ENVIRONMENT)

CODE	ENVIRONMENTAL
W	SHELTERED

2					
PART NO.	2				
SERIES	CODE				
		SPDT	1		
		!! OPTION	CODE		

!! ELECTRICAL CIRCUIT
(IF OTHER THAN STD.)
SEE SCHEMATIC PAGE



PART NO. EX.: 2AGMW2

WR229 WG SWITCH, +28VDC, CPRG (GROOVED)
FLANGE, METRIC THDS, SHELTERED, CKT #2

WEB SITE: www.sectormicrowave.com

ZONE	LTR	DESCRIPTION	APV	DATE	TOLERANCES: DECIMALS 2 PLACES: +/- .03 3 PLACES: +/- .010 FRACTIONS: +/- 1/64 ANGLES: +/- 1/2 deg.	DRAWN	A.C.	1-16-90	SECTOR MICROWAVE IND., INC.					
	A	REDRAWN ON CAD, NO CHANGE	A.C.	4-10-00		CHECKED			WR229 SHELTERED W/G SWITCH					
		REVISIONS				APVD	J.P.	1-16-90	SIZE	L	MFG CODE	53263	2xx SHELTERED SERIES	A
						APVD			SCALE: NONE	UNIT WT.		SHEET 1 OF 1	REV.	