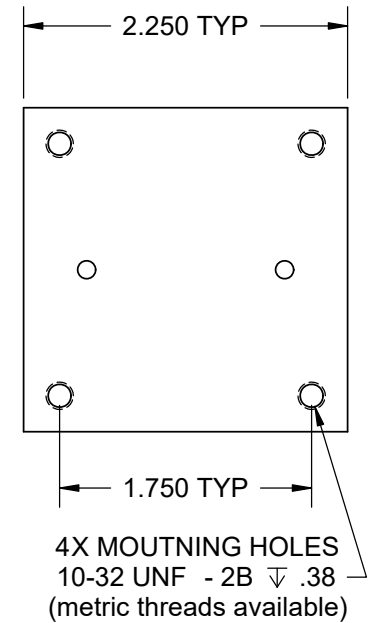
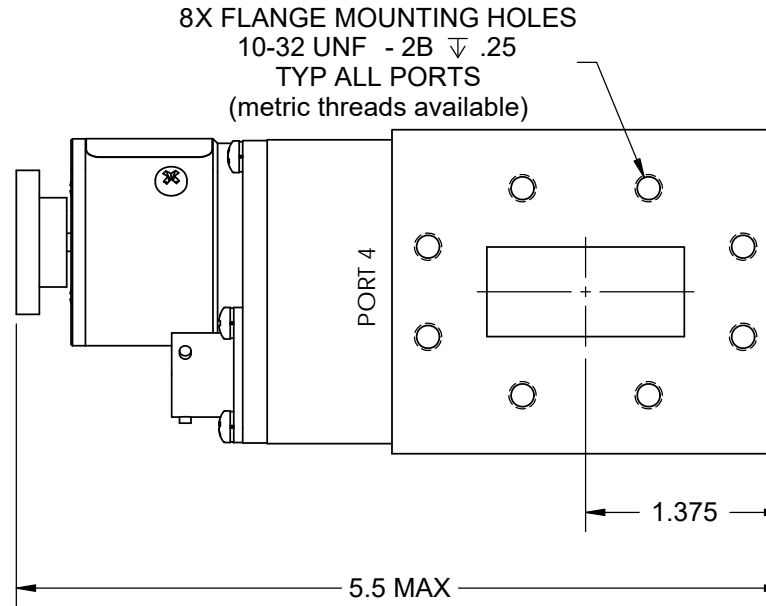
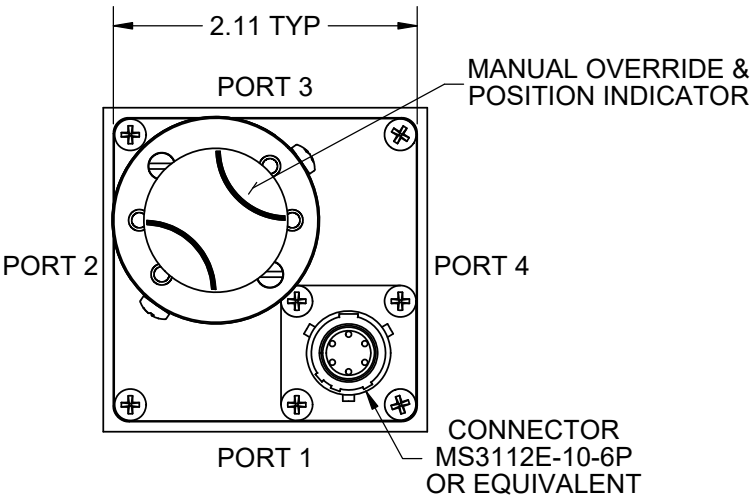




# Waveguide Switch - MM Series - WR137 CPR

REV. B



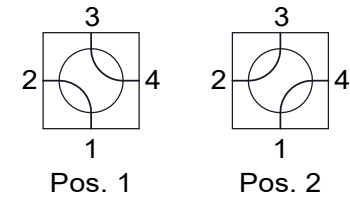
(See Model # Chart to select options)

ELECTRICAL CIRCUIT OPTIONS
NO INDICATORS
1 SET INDICATORS
2 SETS INDICATORS
3 SETS INDICATORS
4 SETS INDICATORS
INHIBIT CIRCUITS

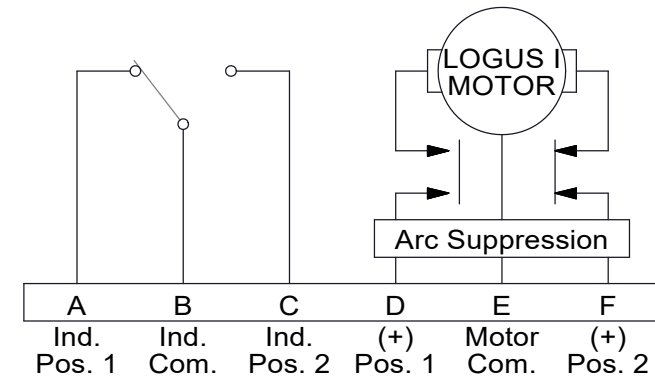
DRIVE OPTIONS
LATCHING
PULSE LATCHING
FAILSAFE
TTL

VOLTAGE OPTIONS
12 VDC
15 VDC
24 VDC
28 VDC
48 VDC
115 VAC

FLANGE OPTIONS
CPR FLAT
CPR GROOVE
CMR



R.F. PATHS



LATCHING, SHOWN IN POSITION 1

(See Schematic page for optional Electrical Circuits)

- Frequency: 5.85 to 8.20 GHz
- VSWR: 1.05:1 Max.
- Insertion Loss: 0.02 dB Max.
- Isolation: 70 dB Min.
- Flange: See Flange Table
- Voltage: See Voltage Table
- Switching Time: 100 mS Max.
- Material: Aluminum (RF Assy)
- Finish: Iridite per MIL-DTL-5541  
Paint Dull Black Enamel
- Pressure: 30 PSIG (RF Head Only)
- Drive: Patented Logus I Motor
- Temp: Operating: -40 °C to +85 °C  
Non-Operating: -55 °C to +100 °C
- Humidity: 0 to 95%, No Condensation